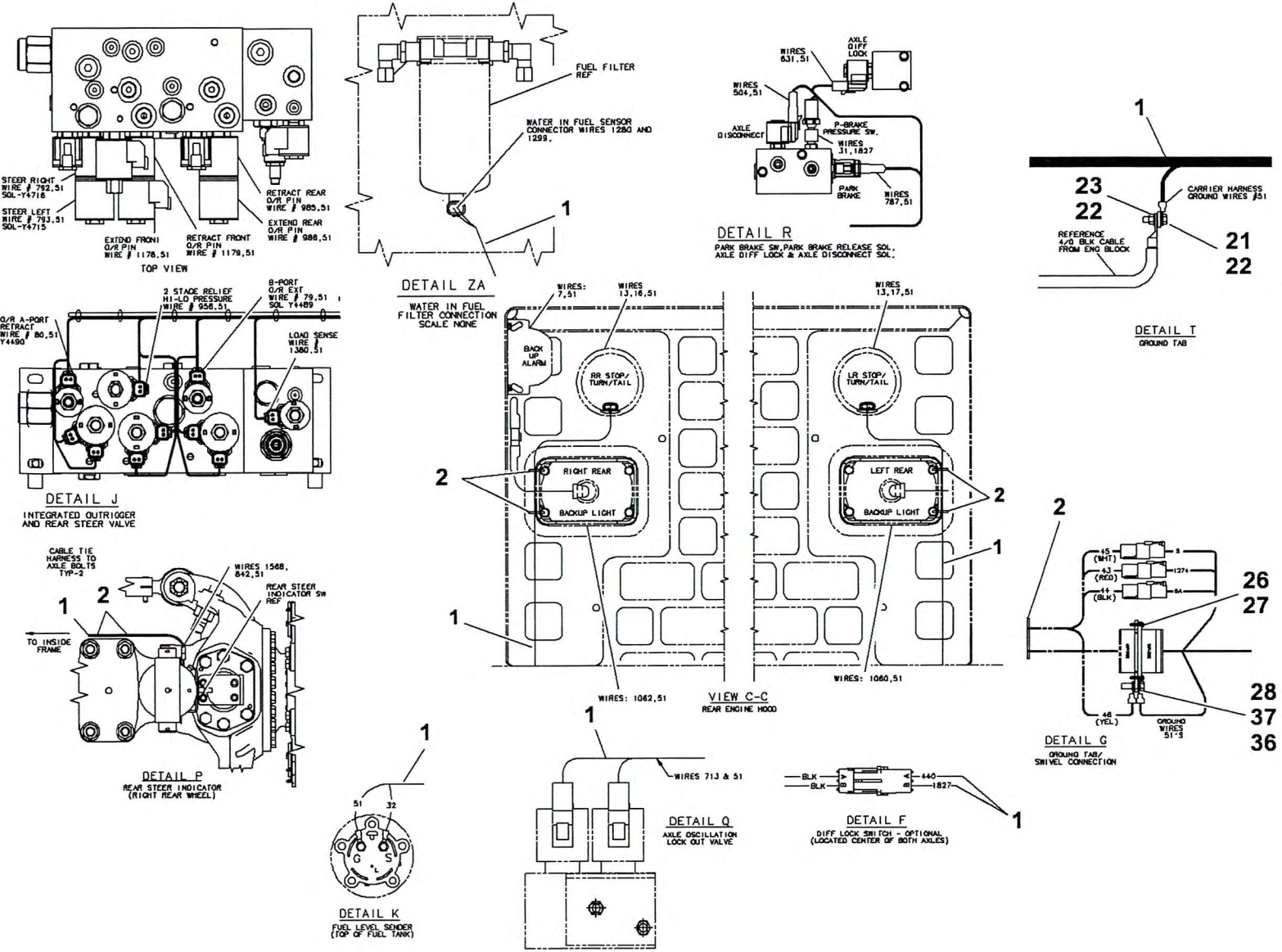


(SHEET 5 OF 5)



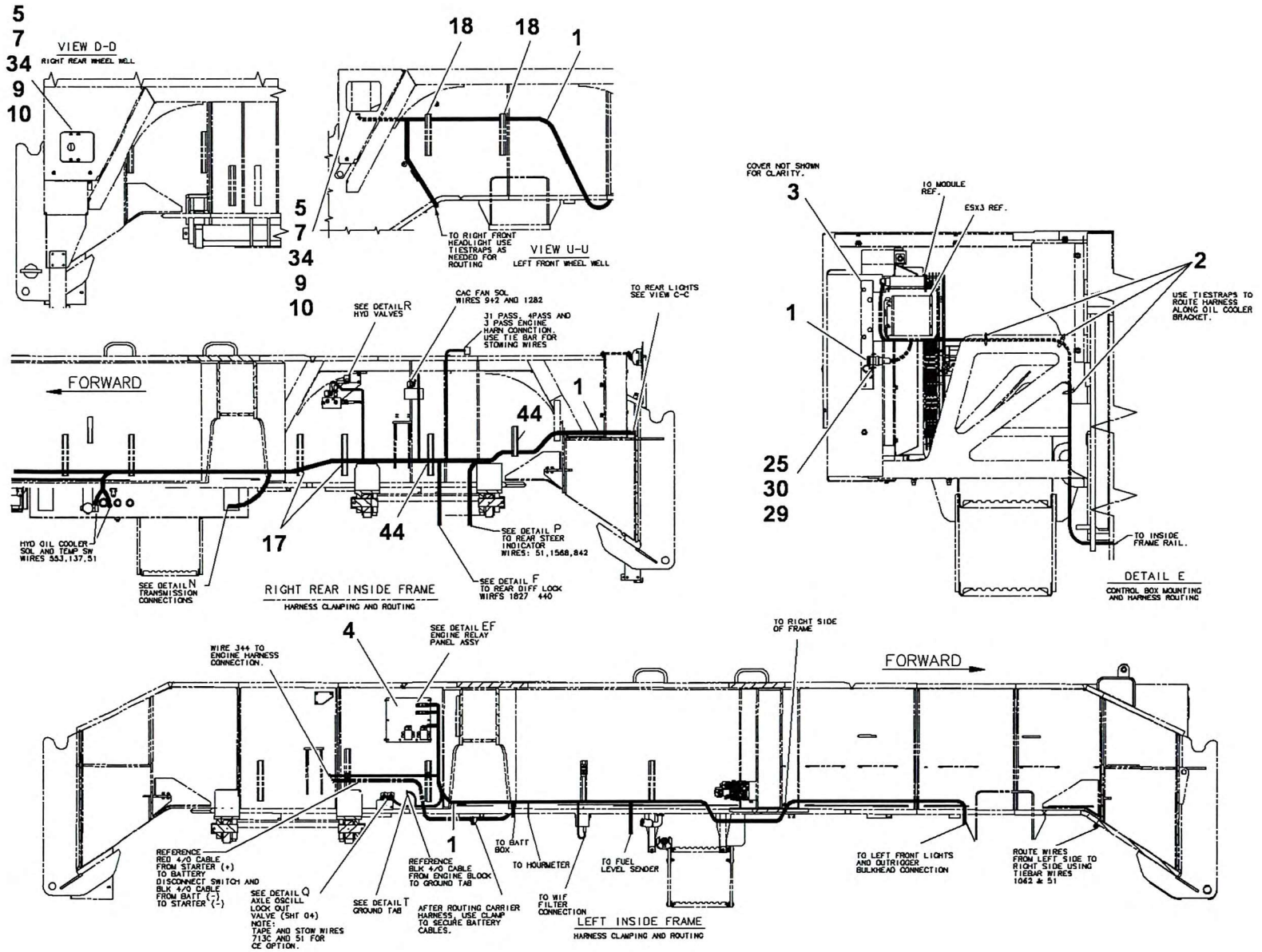
(SHEET 4 OF 5)

Page 635

80035846







(SHEET 2 OF 5)

Page 637

80035846

